

Steel fireplace NADIA 13 kW Ø 200

NADIA/13 EAN: 5901350066843

BGN 4299

Modern solution for all who care about the ease of use of the fireplace. Hexagonal chamber and excellent combustion parameters are the most important advantages of this model.



TECHNICAL DATA

► General

Rated output (kW)	13
Heating power range (kW)	6.0 - 16.5
Heating efficiency (%)	81
Exhaust gas temperature (°C)	240
Material	steel
Fuel type	seasoned hardwood (moisture ≤20%)
Max length of logs (cm)	40
Min outlet grids active field (cm ²)	≥900
Min inlet grids active field (cm ²)	≥700
Glazing type	flat

► Efektywność Energetyczna

Energy class	A
Energy efficiency index (EEI)	106.71
CO emissions (at 13% O ₂)	0.09

► Physical parameters

Weight (kg)	178
Width (cm)	83.4
Height (cm)	133.1
Depth (cm)	41.8
Exhaust outlet diameter (mm)	200

► Certyfikaty/Zgodność

Certifications / Compliance

Compliance with BIMSCHV 2, Designed for recuperation, KRATKI PRO, Meets the criteria of eco -project

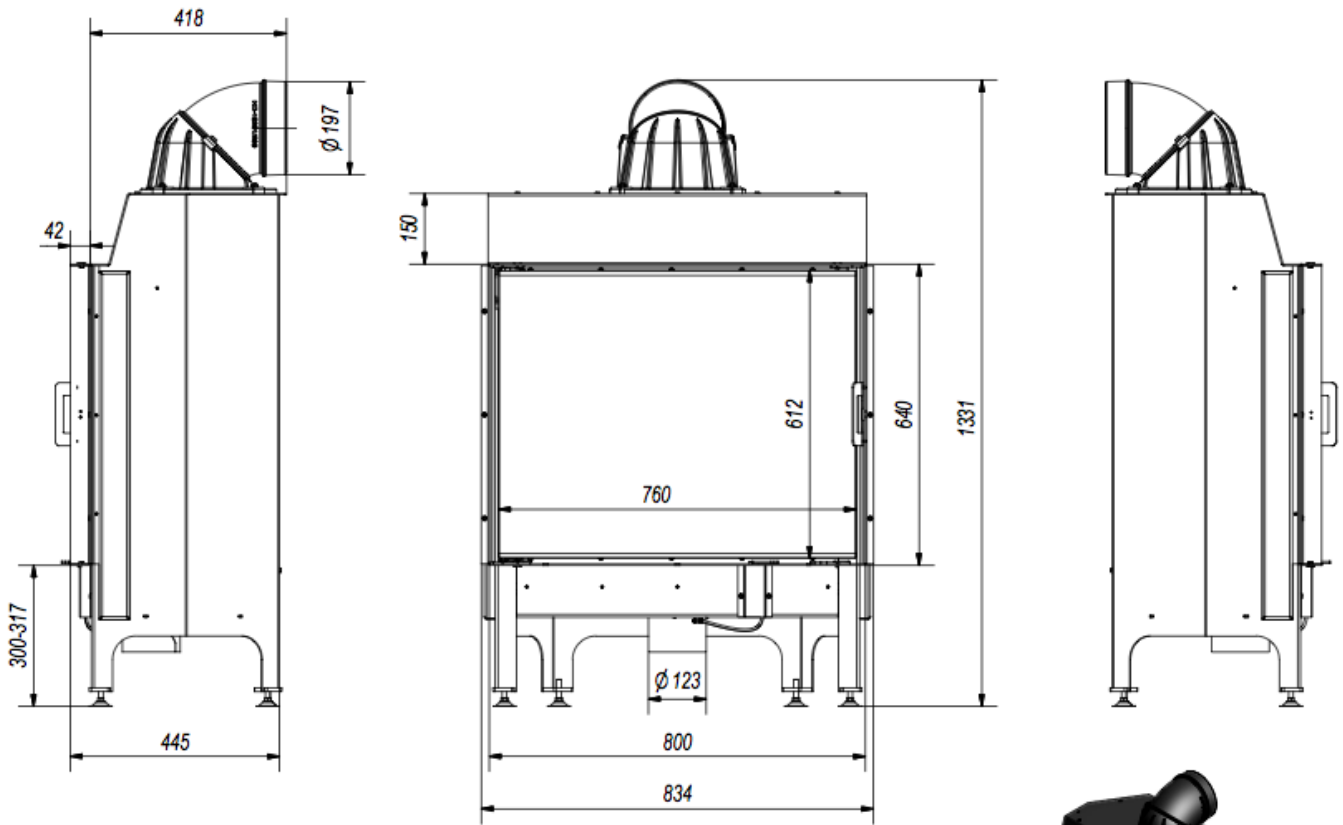
2) ≤ given in %

Dust emission (mg/Nm ³)	37
--	-----------

▶ Equipment

Equipment

**Air intake, Decorative
glass glass, Loading the
combustion chamber**



NADIA/13

NADIA/13

