

# Steel fireplace MBA right 17 kW Ø 200 Bent glass

MBA/P/BS/SG EAN: 5901350031247

MBA/P/BS/SG EAN: 5901350031247

## BGN 5969

Exceptional care to every detail, excellent technical parameters, precision this are the characteristics of this line of fireplaces.



### TECHNICAL DATA

#### ► General

Rated output (kW) **17**

Heating power range (kW) **8.0 - 21**

Heating efficiency (%) **80**

Exhaust gas temperature (°C) **250**

Material **steel**

Fuel type **seasoned hardwood (moisture ≤20%)**

Max length of logs (cm) **50**

Min outlet grids active field (cm<sup>2</sup>) **≥1000**

Min inlet grids active field (cm<sup>2</sup>) **≥800**

Glazing type **corner**

#### ► Physical parameters

Weight (kg) **238**

Width (cm) **90.5**

Height (cm) **150**

Depth (cm) **53.7**

Exhaust outlet diameter (mm) **200**

#### ► Efektywność Energetyczna

Energy class **A**

Energy efficiency index (EEI) **105.4**

CO emissions (at 13% O<sub>2</sub>) **0.09**

#### ► Certyfikaty/Zgodność

Certifications / Compliance

**Compliance with BIMSCHV 2, Designed for recuperation, KRATKI PRO, Meets the criteria of eco -project**

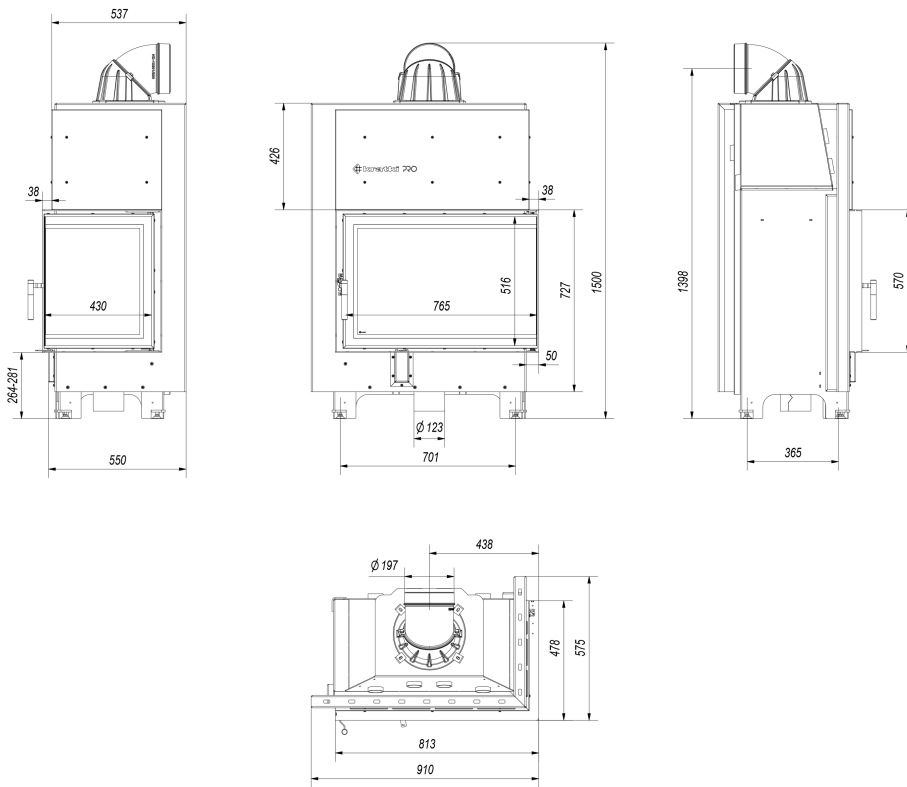
2) ≤ given in %

Dust emission (mg/Nm <sup>3</sup> )	<b>35</b>
--	-----------

## ► Equipment

Equipment

**Air intake, Decorative  
glass glass, Loading the  
combustion chamber**



MBA/P/BS/SG