

# Steel fireplace MBZ left 13 kW Ø 200 Bent glass

MBZ/L/BS/SG EAN: 5901350033111

## BGN 5229

Exceptional care to every detail, excellent technical parameters, precision this are the characteristics of this line of fireplaces.



### TECHNICAL DATA

#### ► General

Rated output (kW)	<b>13</b>
Heating power range (kW)	<b>6.0 - 16</b>
Heating efficiency (%)	<b>81</b>
Exhaust gas temperature (°C)	<b>235</b>
Material	<b>steel</b>
Fuel type	<b>seasoned hardwood (moisture ≤20%)</b>
Max length of logs (cm)	<b>50</b>
Min outlet grids active field (cm <sup>2</sup> )	<b>≥900</b>
Min inlet grids active field (cm <sup>2</sup> )	<b>≥700</b>
Glazing type	<b>corner</b>

#### ► Efektywność Energetyczna

Energy class	<b>A</b>
Energy efficiency index (EEI)	<b>106.71</b>
CO emissions (at 13% O <sub>2</sub> )	<b>0.09</b>

#### ► Physical parameters

Weight (kg)	<b>200</b>
Width (cm)	<b>77.5</b>
Height (cm)	<b>139.9</b>
Depth (cm)	<b>53.7</b>
Exhaust outlet diameter (mm)	<b>200</b>

#### ► Certyfikaty/Zgodność

Certifications / Compliance

**Compliance with BIMSCHV 2, Designed for recuperation, KRATKI PRO, Meets the criteria of eco -project**

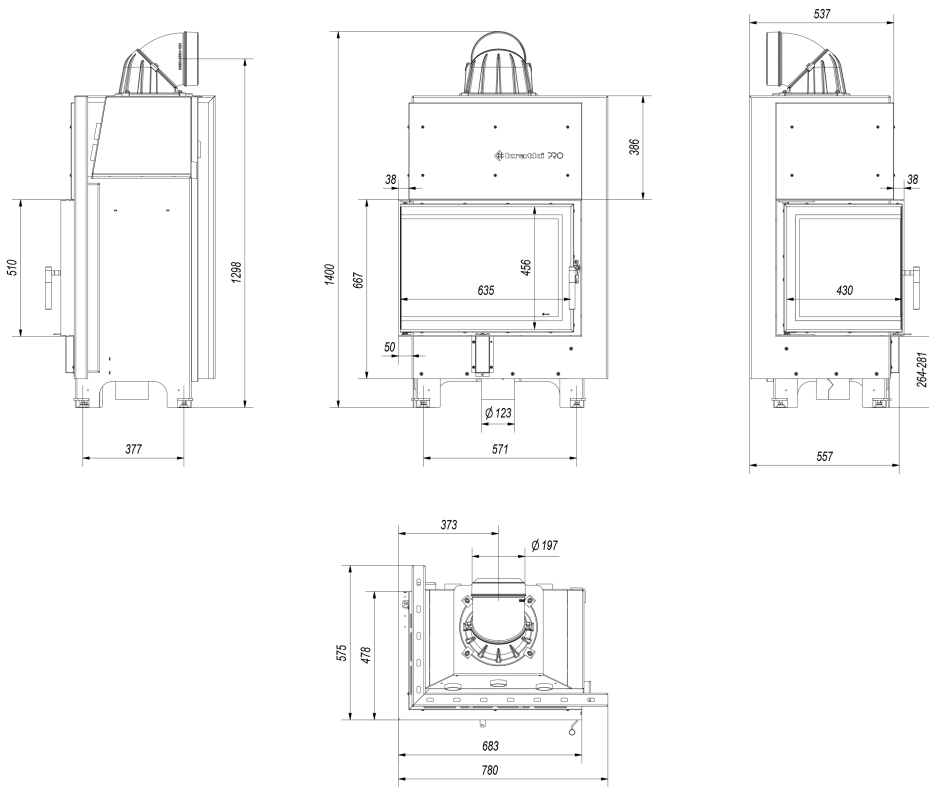
2) ≤ given in %

Dust emission (mg/Nm <sup>3</sup> )	<b>27</b>
--	-----------

## ▶ Equipment

Equipment

**Air intake, Decorative  
glass glass, Loading the  
combustion chamber**



MBZ/L/BS/SG