

Steel fireplace MBZ left 13 kW Ø 200 Lift-up Bent glass

MBZ/L/BS/G/SG EAN: 5901350033081

BGN 6859

Exceptional care to every detail, excellent technical parameters, precision this are the characteristics of this line of fireplaces.



TECHNICAL DATA

► General

Rated output (kW)	13
Heating power range (kW)	6.0 - 16
Heating efficiency (%)	81
Exhaust gas temperature (°C)	235
Material	steel
Fuel type	seasoned hardwood (moisture ≤20%)
Max length of logs (cm)	50
Min outlet grids active field (cm ²)	≥900
Min inlet grids active field (cm ²)	≥700
Glazing type	corner

► Efektywność Energetyczna

Energy class	A
Energy efficiency index (EEI)	106.705
CO emissions (at 13% O ₂)	0.09

► Physical parameters

Weight (kg)	266
Width (cm)	83.7
Height (cm)	140
Depth (cm)	59.1
Exhaust outlet diameter (mm)	200

► Certyfikaty/Zgodność

Certifications /
Compliance

**Compliance with
BIMSCHV 2, Designed
for recuperation,
KRATKI PRO, Meets the
criteria of eco -project**

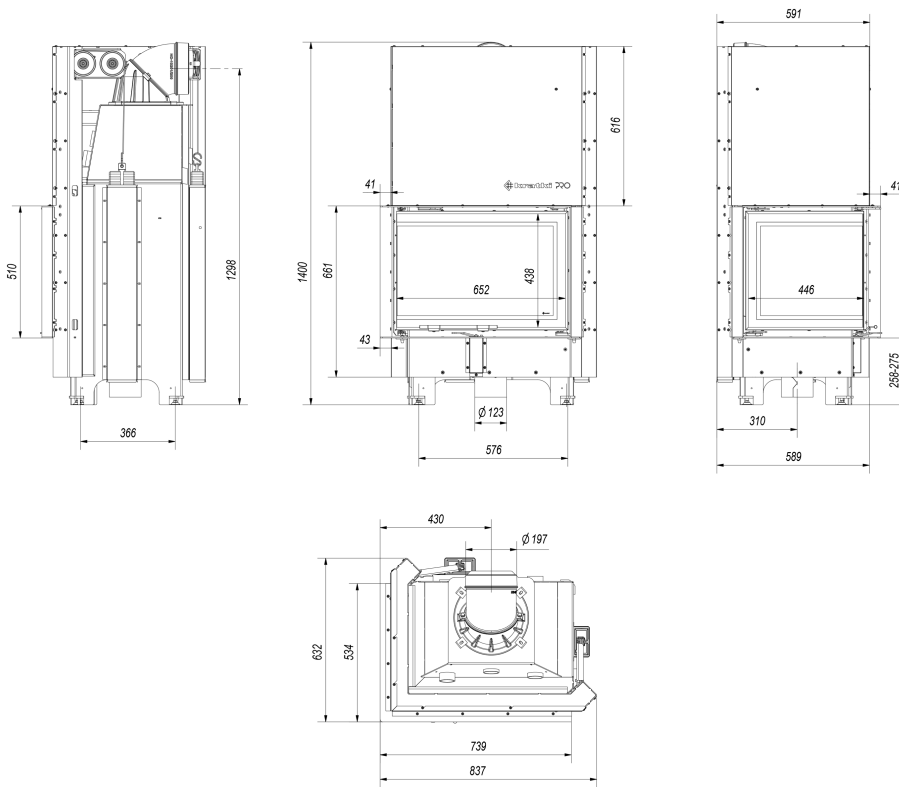
2) ≤ given in %

Dust emission (mg/Nm ³)	27
--	-----------

▶ Equipment

Equipment

**Air intake, Decorative
glass glass, Loading the
combustion chamber**



MBZ/L/BS/G/SG