

Wood burning cast iron stove K10 Turbofan Ø 130 10 kW

KOZA/K10/130/TF EAN: 5901350052310

A simple stove with subtle decorations in the form of transverse strips. K10 is a combination of modern design with function usable.



TECHNICAL DATA

▶ General

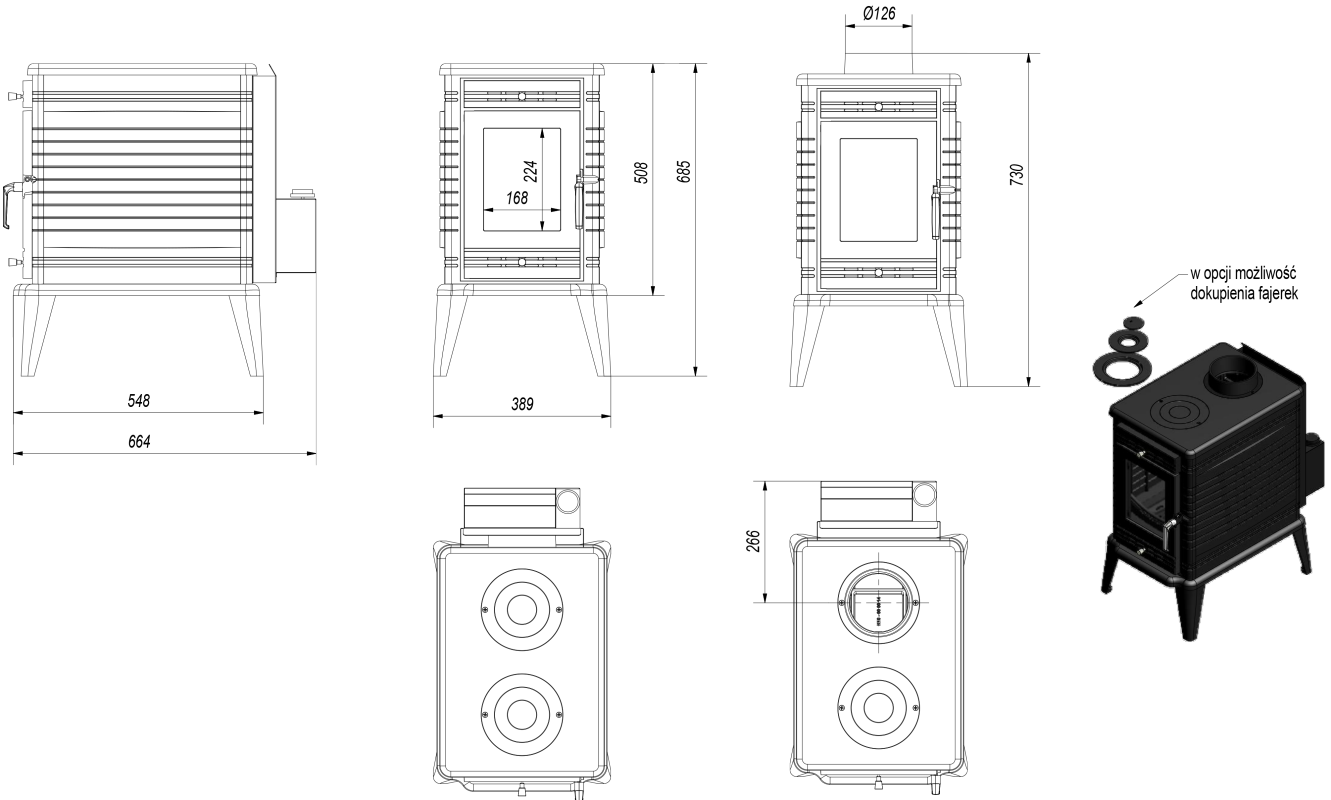
Rated output (kW)	10
Heating power range (kW)	6.0 - 13
Heating efficiency (%)	75
Exhaust gas temperature (°C)	334
Fuel type	seasoned hardwood (moisture ≤20%)
Max length of logs (cm)	35

▶ Efektywność Energetyczna

Energy class	A
Energy efficiency index (EEI)	98.875
CO emissions (at 13% O ₂) ≤ given in %	0.19

▶ Physical parameters

Weight (kg)	113
Width (cm)	36.2
Height (cm)	68.5
Depth (cm)	54.8
Exhaust outlet diameter (mm)	130



ADDITIONAL OPTIONS

Double-walled chimney set F1150, stainless steel, on the foundation	€655.54
Reduction passage 130/150 Ad for black steel	€42.52
Movable elbow 130/90	€22.60
Steel pipe 130/0.5m	€15.93
Steel pipe 130/1m	€22.60

