

Wood burning cast iron stove K10 Turbofan Ø 150 10 kW

KOZA/K10/150/TF EAN: 5901350054116

A simple stove with subtle decorations in the form of transverse strips. K10 is a combination of modern design with function usable.



TECHNICAL DATA

► General

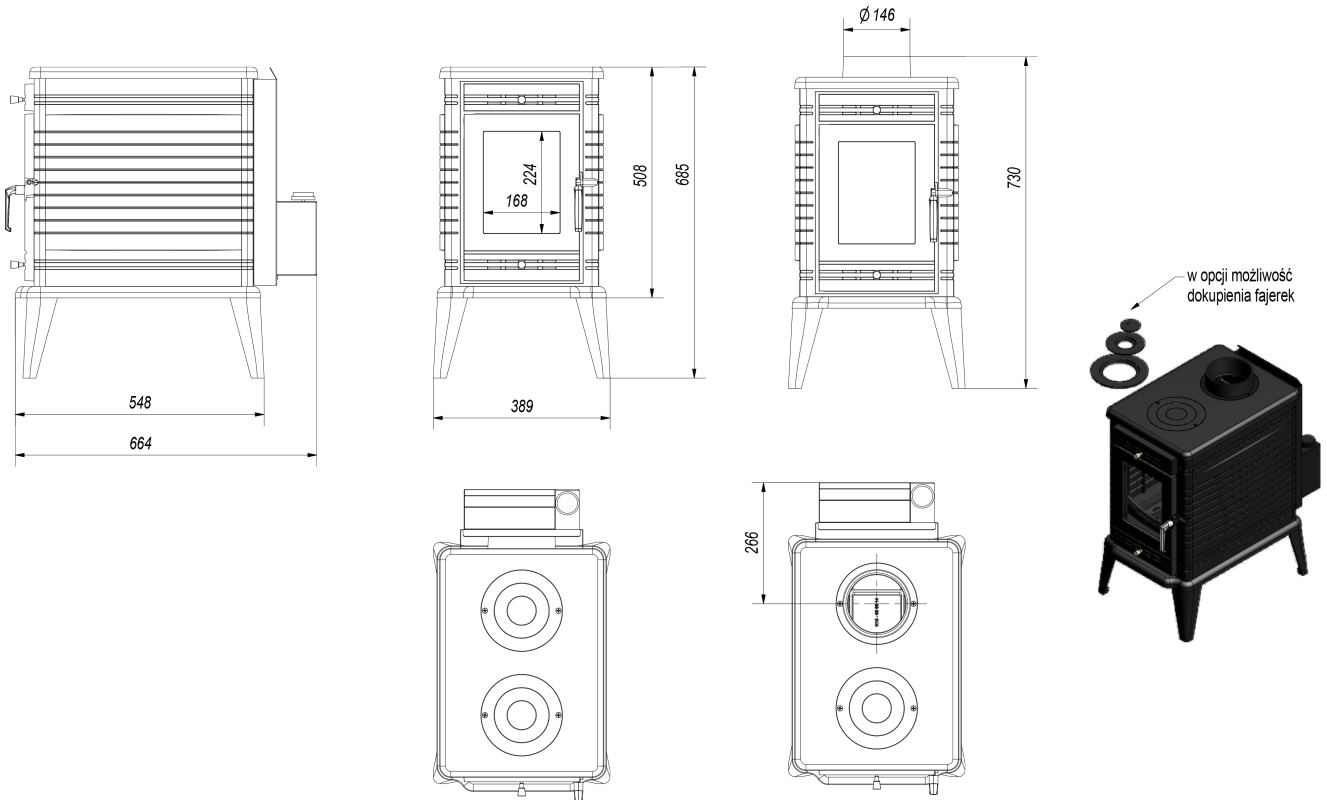
Rated output (kW)	10
Heating power range (kW)	6.0 - 13
Heating efficiency (%)	75
Exhaust gas temperature (°C)	334
Fuel type	seasoned hardwood (moisture ≤20%)
Max length of logs (cm)	35

► Efektywność Energetyczna

Energy class	A
Energy efficiency index (EEI)	98.88
CO emissions (at 13% O ₂) ≤ given in %	0.19

► Physical parameters

Weight (kg)	113
Width (cm)	38.9
Height (cm)	73
Depth (cm)	54.8
Exhaust outlet diameter (mm)	150



ADDITIONAL OPTIONS

Movable elbow 150/90	€23.58
Steel rosette Ø 150	€2.85
Steel pipe 150/0.5m	€16.34
Steel pipe 150/1m	€25.04
Damper Ø 150 black	€17.48