

# Wood burning cast iron stove K11 Ø 150 6 kW

SKU: KOZA/K11 EAN: 5903751223450

**€1,051.40**

## Technical data

### General data

|                              |                  |
|------------------------------|------------------|
| Rated output (kW)            | <b>6</b>         |
| Heating power range (kW)     | <b>3-9</b>       |
| Heating efficiency (%)       | <b>76.9</b>      |
| Exhaust gas temperature (°C) | <b>265</b>       |
| Max length of logs (cm)      | <b>25</b>        |
| Color                        | <b>Black</b>     |
| Self Closure                 | <b>No</b>        |
| Additional equipment         | <b>None</b>      |
| Materials                    | <b>Cast iron</b> |
| Flue outlet diameter (mm)    | <b>150</b>       |
| Air intake diameter (mm)     | <b>125</b>       |

### Energetic efficiency

|  |              |
|--|--------------|
| Energy class                                       | <b>A</b>     |
| Energy efficiency index (EEI)                      | <b>101.5</b> |
| Seasonal Heating efficiency (%)                    | <b>66.9</b>  |
| Moc cieplna do ogrzewania pomieszczeń (kW)         | <b>6</b>     |
| CO emissions (at 13% O <sub>2</sub> ) ≤ given in % | <b>0.096</b> |
| Emisja CO (mg/m <sup>3</sup> )                     | <b>1208</b>  |
| Dust emission (mg/Nm <sup>3</sup> )                | <b>31</b>    |
| Emisja NO <sub>x</sub> (mg/Nm <sup>3</sup> )       | <b>109</b>   |
| Emisja OGC (mg/Nm <sup>3</sup> )                   | <b>88</b>    |
| Flue gases mass flow rate (g/s)                    | <b>6.6</b>   |

## Certifications / Compliance

---

Meets requirements **KRATKI PRO, Ecodesign,  
Designed for recuperation,  
BlmSchV 2, 7\* Flamme Verte**

## Additional information

---

Design features **Air intake - built in ,  
Ashpan, Combustion  
chamber lining**

Front type **Cast iron front with  
ceramic glass**

Type of fuel **Seasoned deciduous wood  
(humidity  $\leq$ 20%)**

EAN **5903751223450**

## Physical parameters

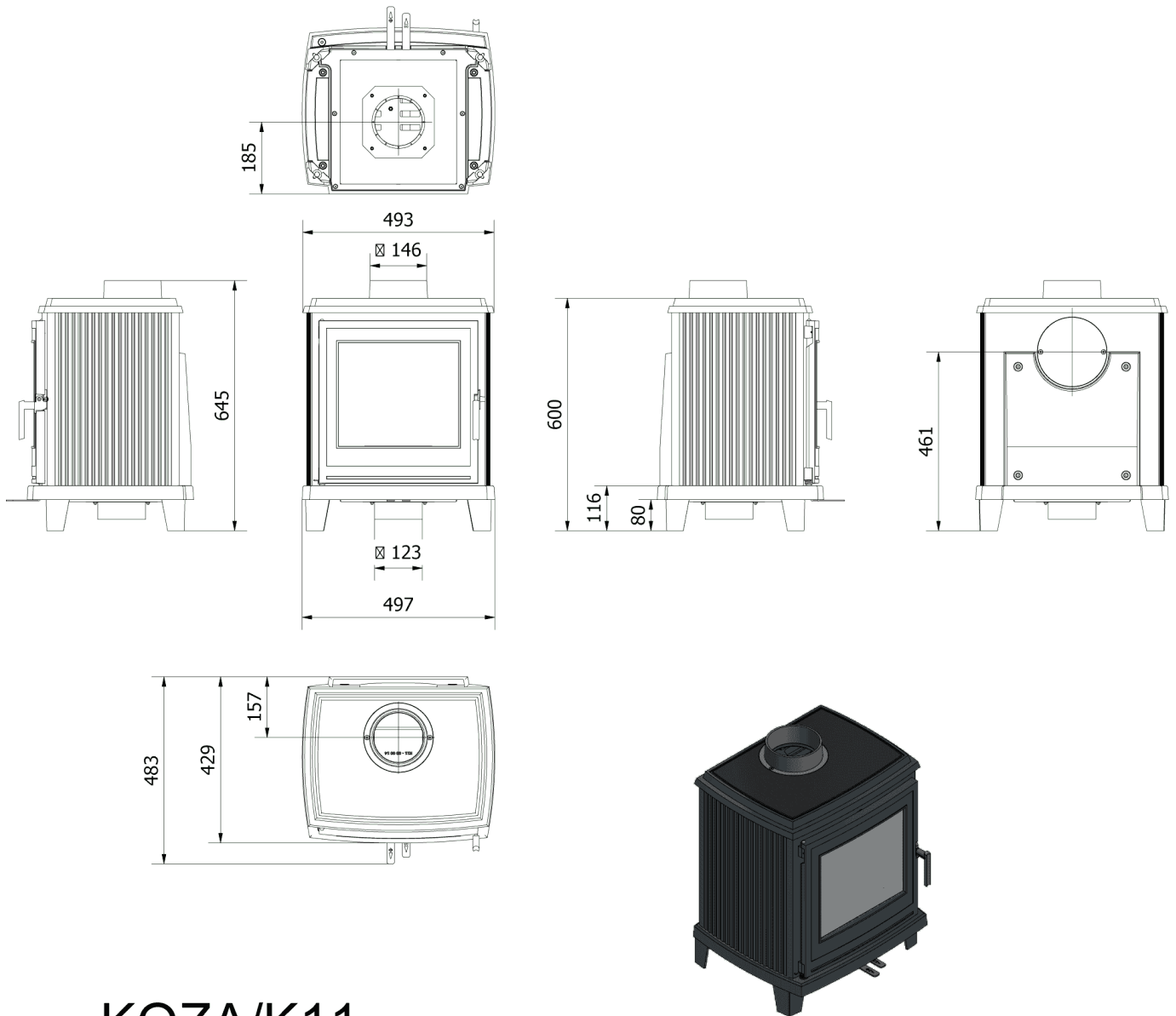
---

Width (cm) **49.7**

Height (cm) **64.5**

Depth (cm) **48.3**

Weight (kg) **133.75**



# KOZA/K11